



# Miluz Lara

Catalog 2024

[se.com](https://se.com)

Life Is On

**Schneider**  
Electric

# About Schneider Electric

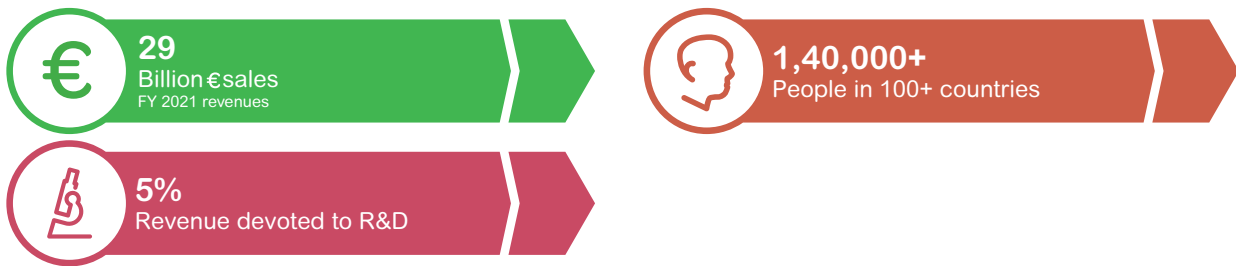
Schneider Electric’s purpose is to empower all to make the most of our energy and resources, bridging progress and sustainability for all. We call this **Life Is On**.

Our mission is to be your digital partner for **Sustainability and Efficiency**.

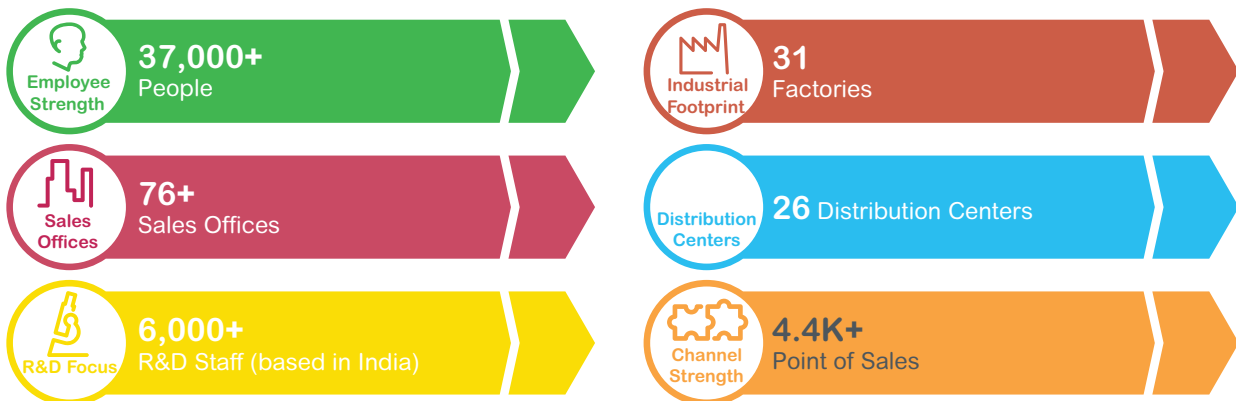
We drive digital transformation by integrating world-leading process and energy technologies, end-point to cloud connecting products, controls, software and services, across the entire lifecycle, enabling integrated company management, for homes, buildings, data centres, infrastructure and industries.

We are the most local of the global companies. We are advocates of open standards and partnership ecosystems that are passionate about our shared **meaningful purposes, inclusive and empowered** values.

## Schneider Electric Global footprint

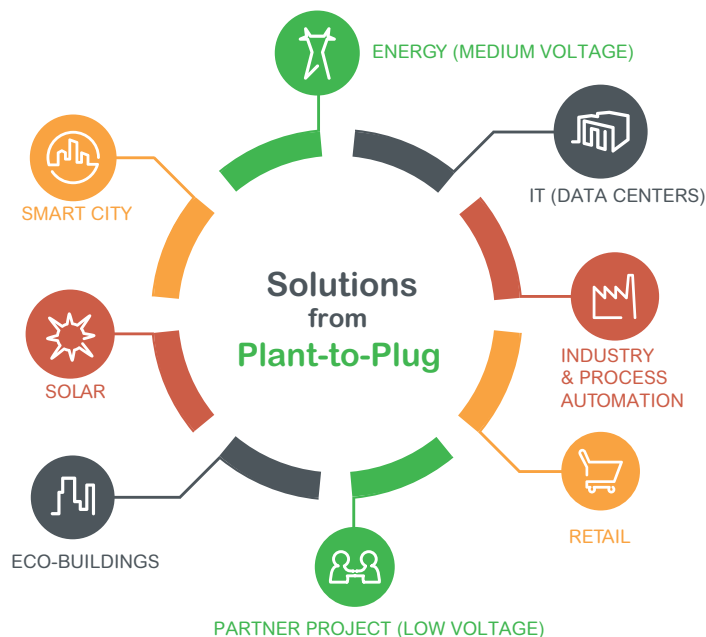


## Schneider Electric India footprint



### Our business offerings

Span the entire spectrum from Plant-to-Plug.



# Contents

<b>Functions</b> .....	<b>6</b>
<b>Controls</b> .....	<b>6</b>
Comfort Controls.....	8
Socket Outlets and USB Chargers.....	10
Communication Outlets.....	12
Cover Frames.....	14
<b>Technical Information</b> .....	<b>18</b>
Dimensions.....	19
Connections.....	21
<b>Reference Numbers</b> .....	<b>32</b>
<b>Price List</b> .....	<b>34</b>

# The smart choice for modern buildings and homes

At Schneider Electric, we create products that understand the needs of our clients, and their customers. Backed by our innovative technology and expertise, we offer versatile switches and sockets that meet modern building requirements and empower builders to deliver top-quality buildings and homes.

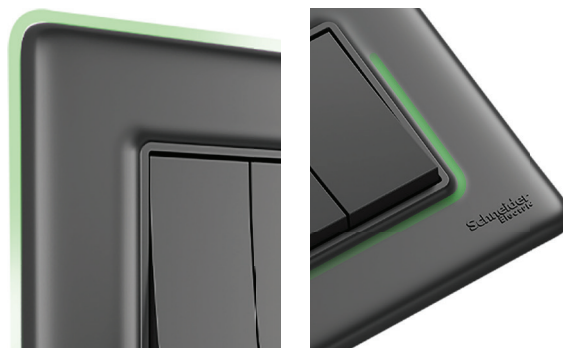
Introducing Miluz Lara, a wide range of switches, sockets, fan regulators, dimmers, USB A+C, and wireless-connected devices. Specifically made for use with thinner walls that are common in Mivan construction and modern buildings, Miluz Lara switches and sockets integrate smooth functionality with innovative features that enhance convenience and connectivity.



## A fusion of beauty and functionality

Miluz Lara switches and sockets are designed to delight builders and upgrade modern buildings and homes.

- Ideal for Mivan and modern construction methods – seamlessly fits into newer (40 mm.) and conventional (50 mm.) metal boxes.
- Dew-drop-inspired design prevents dust and dirt accumulation.
- The 'volcanic' curve ensures ample room for wiring, for a seamless user experience.



## Expect more durability and safety

High-quality materials for enhanced safety and lasting performance.

- Prevents accidental shocks with no single-pin insertions in sockets.
- Durable copper contact for an enhanced lifespan (lasts up to 2 lakh clicks, or 30 years, at 15 clicks/day).





## Innovative functions for modern living

Crafted to complement modern lifestyles, Miluz Lara switches and sockets empower builders to differentiate their projects in the market.

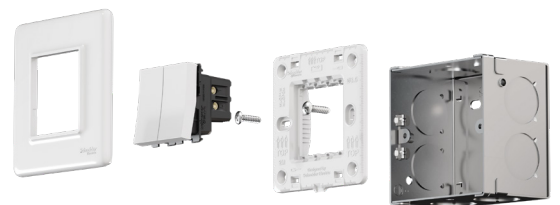
- Air quality indicators with real-time monitoring and updates.
- Seamless USB A+C charging.
- Voltage surge protectors that safeguard electrical appliances from damage due to power surges.



## Experience effortless installation

Ensure more finished projects faster, and happier customers too.

- Clear markings for ideal wire strip length for accurate and safe installation.
- Front-loading components and double-sided wire entry in sockets for greater ease.



## Invest in connected smart home solutions



Driven by Schneider Electric's vision for sustainable, modern homes, Wiser™ is designed to optimize energy usage and is fully compatible with Miluz Lara switches and sockets, for seamless functionality.

- Increase energy efficiency and connectivity in homes.
- Modular, flexible system for intuitive control and maximum comfort.

## Sustainability simplified

From sustainable practices to reducing waste and embracing resource management, Miluz Lara delivers on every front. The entire range is RoHS and REACH-compliant. The Akulon® K-X08983-infused back housing contains 20 % recycled materials, reducing resource consumption and maximizing durability and lifespan. Additionally, its brown cardboard packaging saves costs and is 100 % recyclable - making it the sustainable choice for Indian homes.

# Miluz Lara Controls



# Controls

## Switches – 10 A – 250 V AC

	1-way	1-way with indicator	2-way
<b>1 module</b>			
<input type="checkbox"/> White	MLSW101M1W_WH	MLSWI101M1W_WH	MLSW101M2W_WH
<input checked="" type="checkbox"/> Anthracite	MLSW101M1W_AN	MLSWI101M1W_AN	MLSW101M2W_AN
<b>2 modules</b>			
<input type="checkbox"/> White	MLSW102M1W_WH	MLSWI102M1W_WH	
<input checked="" type="checkbox"/> Anthracite	MLSW102M1W_AN	MLSWI102M1W_AN	

## Switches – 16 A – 250 V AC

	1-way	1-way with indicator	2-way
<b>1 module</b>			
<input type="checkbox"/> White	MLSW161M1W_WH	MLSWI161M1W_WH	MLSW161M2W_WH
<input checked="" type="checkbox"/> Anthracite	MLSW161M1W_AN	MLSWI161M1W_AN	MLSW161M2W_AN
<b>2 modules</b>			
<input type="checkbox"/> White	MLSW162M1W_WH	MLSWI162M1W_WH	
<input checked="" type="checkbox"/> Anthracite	MLSW162M1W_AN	MLSWI162M1W_AN	

## Motor Starter Switches – 25 A – 250 V AC

<b>2 modules</b>	
<input type="checkbox"/> White	MLMOTSTR2M_WH
<input checked="" type="checkbox"/> Anthracite	MLMOTSTR2M_AN

## Switches – 20 A – 250 V AC

	2-pole with indicator
<b>2 modules</b>	
<input type="checkbox"/> White	MLSWI202MDP_WH
<input checked="" type="checkbox"/> Anthracite	MLSWI202MDP_AN

## Switches – 32 A – 250 V AC

	2-pole with indicator
<b>2 modules</b>	
<input type="checkbox"/> White	MLSWI322MDP_WH
<input checked="" type="checkbox"/> Anthracite	MLSWI322MDP_AN

## Blank Off Units

<b>1 module</b>	
<input type="checkbox"/> White	MLBLANK1M_WH
<input checked="" type="checkbox"/> Anthracite	MLBLANK1M_AN

## LED Phase Indicator

<b>1 module</b>	
<input checked="" type="checkbox"/> Red	MLPHSIND1M_RD

# Miluz Lara Comfort Controls



# Comfort Controls

## Dimmers – 400 W



<b>1 module</b>	
<input type="checkbox"/> White	MLDMR1M_WH
<input checked="" type="checkbox"/> Anthracite	MLDMR1M_AN

## Air Quality Indicators



<b>2 modules</b>	
<input type="checkbox"/> White	MLAQI2M_WH
<input checked="" type="checkbox"/> Anthracite	MLAQI2M_AN

## Door Chime



<b>2 modules</b>	
<input type="checkbox"/> White	MLDRCHM2M_WH
<input checked="" type="checkbox"/> Anthracite	MLDRCHM2M_AN

## LED Foot lamps



<b>2 modules</b>	
<input type="checkbox"/> White	MLFTLMP2M_WH
<input checked="" type="checkbox"/> Anthracite	MLFTLMP2M_AN

## Bell Push Switches – 6 A – 250 V AC

	1-way	1-way with indicator



<b>1 module</b>		
<input type="checkbox"/> White	MLBP1M_WH	MLBPI1M_WH
<input checked="" type="checkbox"/> Anthracite	MLBP1M_AN	MLBPI1M_AN



<b>2 modules</b>		
<input type="checkbox"/> White	MLBP2M_WH	MLBPI2M_WH
<input checked="" type="checkbox"/> Anthracite	MLBP2M_AN	MLBPI2M_AN

## 4-Step Fan Regulators – 80 W



<b>1 module</b>	
<input type="checkbox"/> White	MLFR4STP1M_WH
<input checked="" type="checkbox"/> Anthracite	MLFR4STP1M_AN

## 5-Step Fan Regulators – 120 W




<b>2 modules</b>	
<input type="checkbox"/> White	MLFR5STP2M_WH
<input checked="" type="checkbox"/> Anthracite	MLFR5STP2M_AN

# Miluz Lara Socket Outlets and USB Chargers




# Socket Outlets and USB Chargers


## Socket Outlets – 6 A – 250 V AC

3-pin with shutter	
	
<b>2 modules</b>	
<input type="checkbox"/> White	MLSO62M3P_WH
<input checked="" type="checkbox"/> Anthracite	MLSO62M3P_AN


## Socket Outlets – 6/16 A – 250 V AC

3-pin with shutter	
	
<b>2 modules</b>	
<input type="checkbox"/> White	MLSO6162M3P_WH
<input checked="" type="checkbox"/> Anthracite	MLSO6162M3P_AN




## Socket Adapter

3-pin with shutter	
	
<b>2 modules</b>	
<input type="checkbox"/> White	MLSA2M_NC



## Voltage Surge Protectors – 230 V

	
<b>1 module</b>	
<input type="checkbox"/> White	MLVSP1M_WH
<input checked="" type="checkbox"/> Anthracite	MLVSP1M_AN

## Modular MCB Surge Protectors

	16 A	20 A	32 A
			
<b>1 module</b>			
<input type="checkbox"/> White	MLMM161P_WH	MLMM201P_WH	MLMM321P_WH
<input checked="" type="checkbox"/> Anthracite	MLMM161P_AN	MLMM201P_AN	MLMM321P_AN

## USB Chargers

	Type A (10.5 W)	Type A+C (12 W)
		
<b>1 module</b>		
<input type="checkbox"/> White	MLUSBA1M_WH	MLUSBAC1M_WH
<input checked="" type="checkbox"/> Anthracite	MLUSBA1M_AN	MLUSBAC1M_AN

# Miluz Lara Communication Outlets




# Communication Outlets

## RJ45 Data Sockets

Cat. 6 with shutter	
	
<b>1 module</b>	
<input type="checkbox"/> White	MLRJ451M_WH
<input checked="" type="checkbox"/> Anthracite	MLRJ451M_AN

## RJ11 Telephone Sockets

RJ11 with shutter	
	
<b>1 module</b>	
<input type="checkbox"/> White	MLRJ111M_WH
<input checked="" type="checkbox"/> Anthracite	MLRJ111M_AN

## TV Sockets

	
<b>1 module</b>	
<input type="checkbox"/> White	MLTV1M_WH
<input checked="" type="checkbox"/> Anthracite	MLTV1M_AN

## HDMI Sockets






	
<b>1 module</b>	
<input type="checkbox"/> White	MLHDMI1M_WH
<input checked="" type="checkbox"/> Anthracite	MLHDMI1M_AN




# Miluz Lara Cover Frames



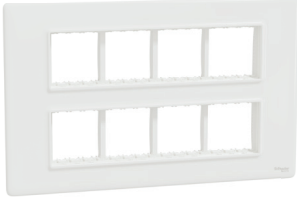



# Cover Frames

## Cover Frames

	1 module	2 modules	3 modules	3 modules Universal bridge	4 modules
					
<b>Cover frame and grid plate</b>					
<input type="checkbox"/> White	MLCP1M_WH	MLCP2M_WH	MLCP3M_WH	MLCP3MU_WH	MLCP4M_WH
<input checked="" type="checkbox"/> Anthracite	MLCP1M_AN	MLCP2M_AN	MLCP3M_AN	MLCP3MU_AN	MLCP4M_AN

	6 modules	8 modules Horizontal	Square
			
<b>Cover frame and grid plate</b>			
<input type="checkbox"/> White	MLCP6M_WH	MLCP8MH_WH	MLCP8MS_WH
<input checked="" type="checkbox"/> Anthracite	MLCP6M_AN	MLCP8MH_AN	MLCP8MS_AN

	9 modules	12 modules	16 modules
			
<b>Cover frame and grid plate</b>			
<input type="checkbox"/> White	MLCP9M_WH	MLCP12M_WH	MLCP16M_WH
<input checked="" type="checkbox"/> Anthracite	MLCP9M_AN	MLCP12M_AN	MLCP16M_AN

	18 modules
	
<b>Cover frame and grid plate</b>	
<input type="checkbox"/> White	MLCP18M_WH
<input checked="" type="checkbox"/> Anthracite	MLCP18M_AN

# Boxes

## Boxes

	2 modules	3 modules	4 modules	6 modules	8 modules
					
<b>Mivan boxes</b>					
<input type="checkbox"/> White	ML1202	ML1203	ML1204	ML1206	ML1208

	12 modules
	
<b>Mivan boxes</b>	
<input type="checkbox"/> White	ML1212



# Miluz Lara Technical Information

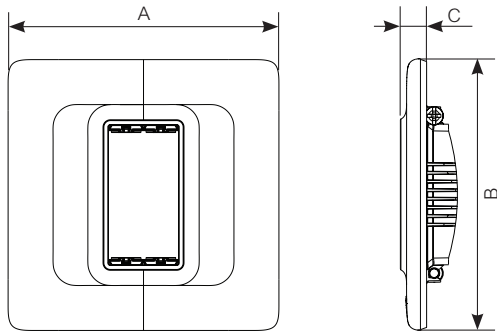


# Technical Information

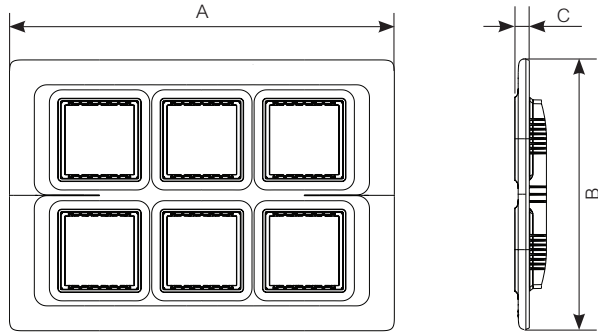
## Dimensions

### Cover Frames

#### Dimensions (mm)

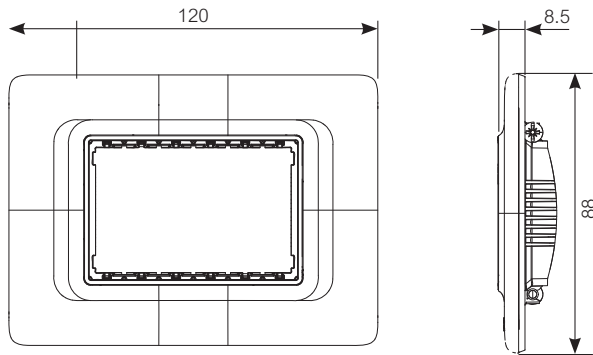


Type	Width	Height	Depth
	A	B	C
1 module	88	88	8.5
2 modules	88	88	8.5
3 modules	120	88	8.5
4 modules	152	88	8.5
6 modules	226	88	8.5
8 modules (Horizontal)	251	88	8.5
9 modules	291	88	8.5



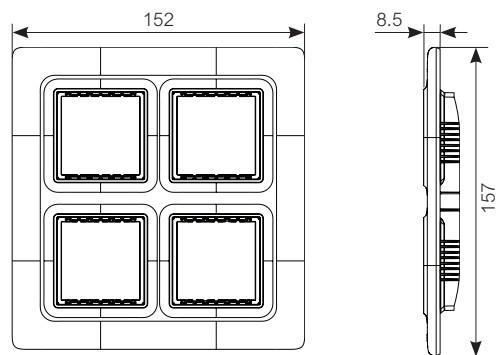
Type	Width	Height	Depth
	A	B	B
12 modules	226	159	8.5
16 modules	254	159	8.5

#### Uni Cover Frame and Grid Plate



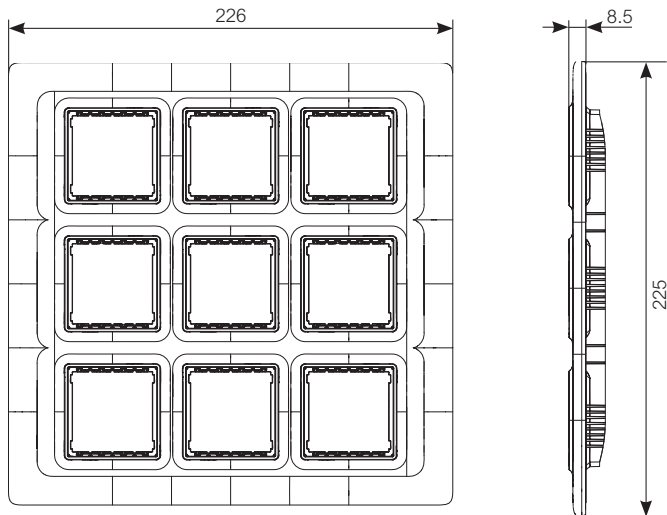
3 modules

#### Square Cover Frame and Grid Plate



8 modules

#### Cover Frame and Grid Plate



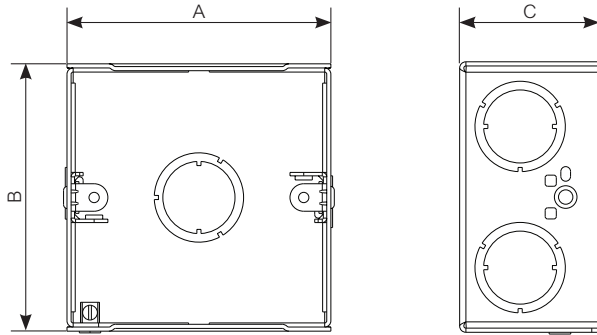
18 modules

# Technical Information

## Dimensions

### Mivan Boxes

#### Dimensions (mm)



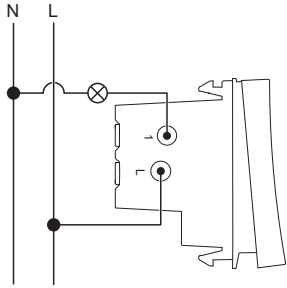
Type	Width	Height	Depth
	A	B	C
2 modules	77.8	76.8	40
3 modules	77.8	103.7	40
4 modules	77.8	136.8	40
6 modules	77.8	210.8	40
8 modules	80.8	230.4	40
12 modules	134.8	210.8	40

# Technical Information

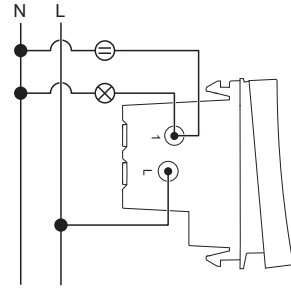
## Connections

### Switches

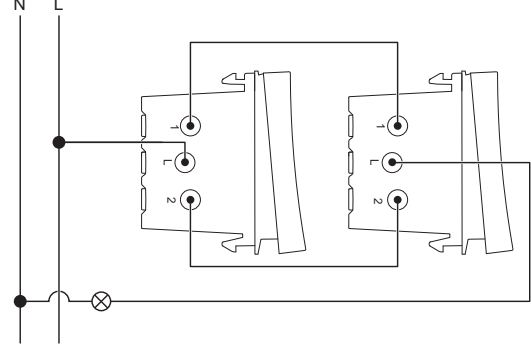
1-way Switch



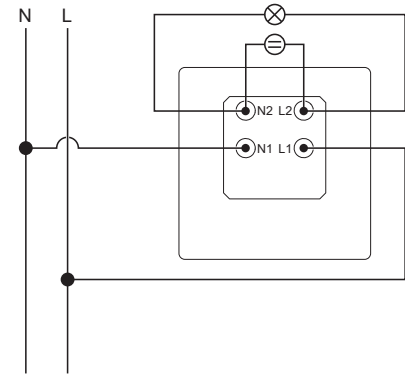
1-way Switch with Indicator



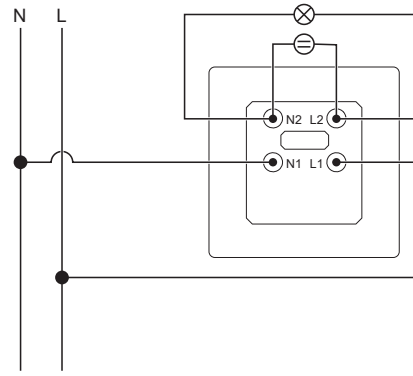
2-way Switch



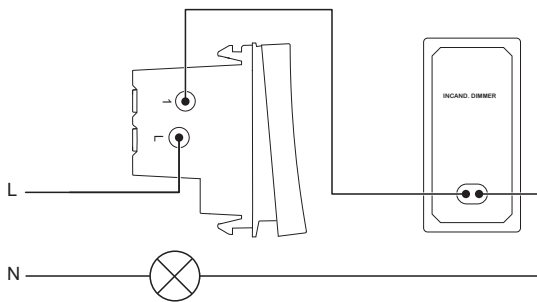
20 A Switch



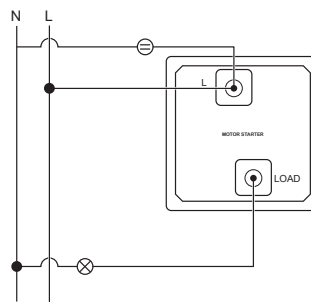
32 A Switch



### Dimmer

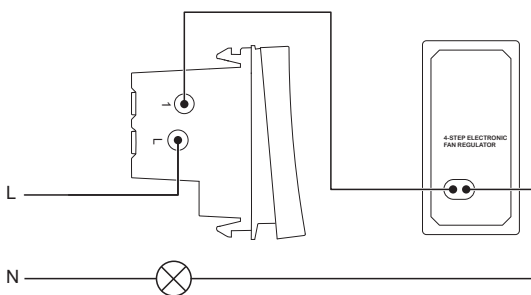


### Motor Starter

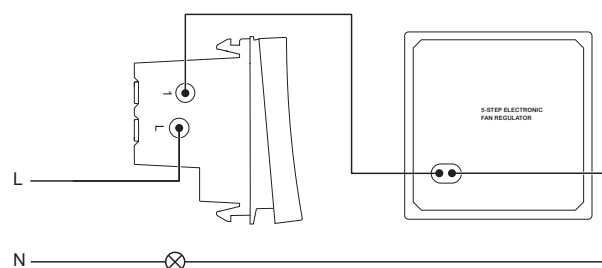


### Fan Regulator

4-Step Fan Regulator

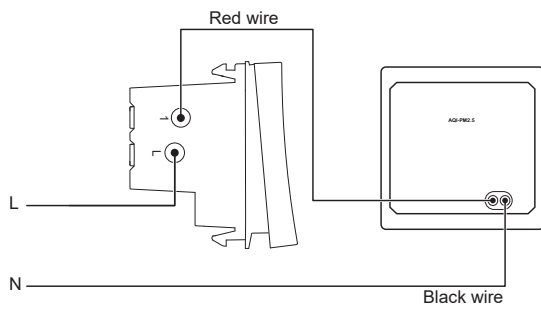


5-Step Fan Regulator

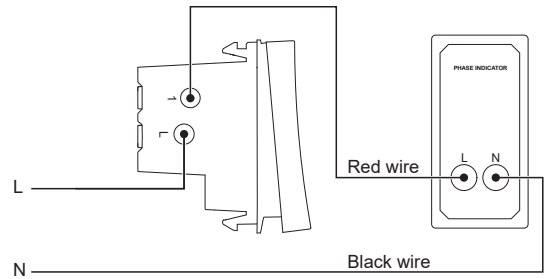


# Technical Information Connections

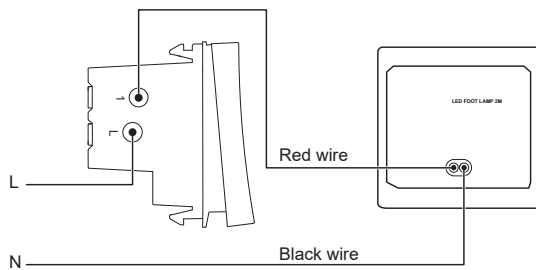
## Air Quality Indicator



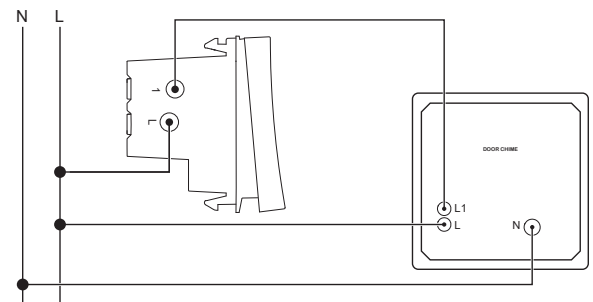
## LED Phase Indicator



## LED Foot lamp

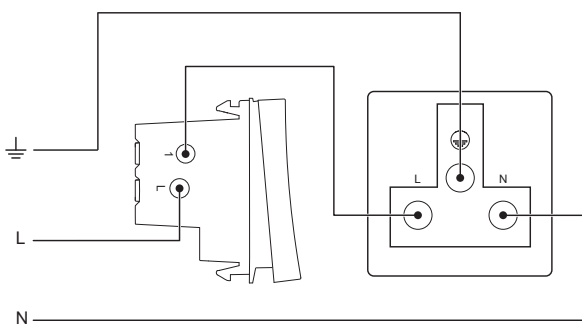


## Door Chime

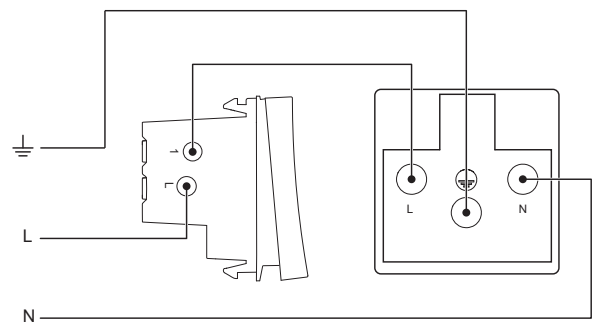


## Socket Outlets

### 6 A Socket with Shutter

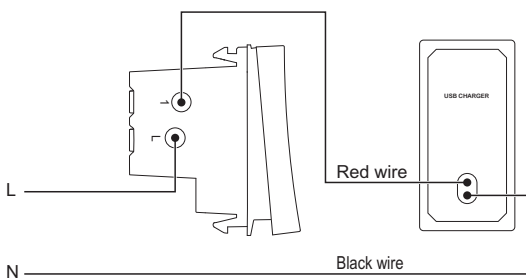


### 16 A Socket with Shutter

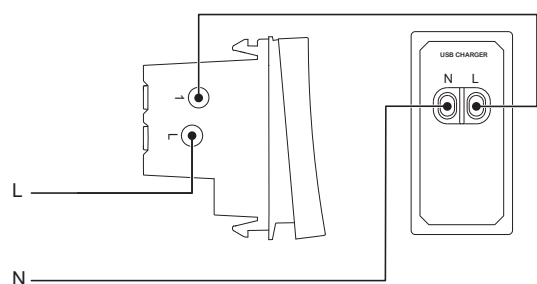


## USB Chargers

### 10.5 W USB Charger (Type A)



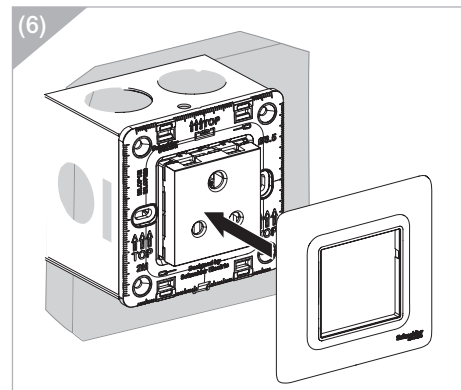
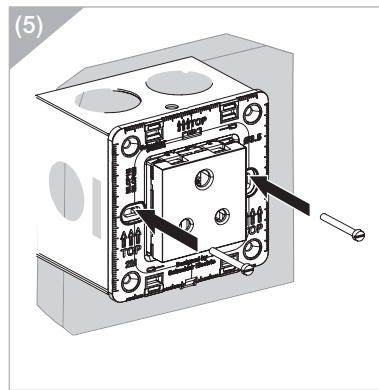
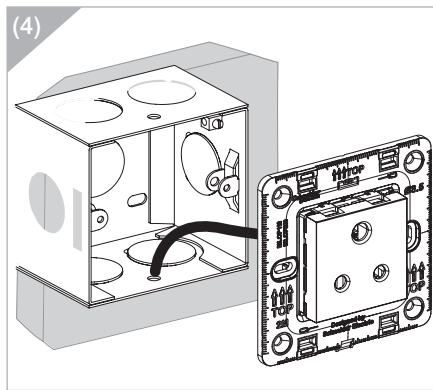
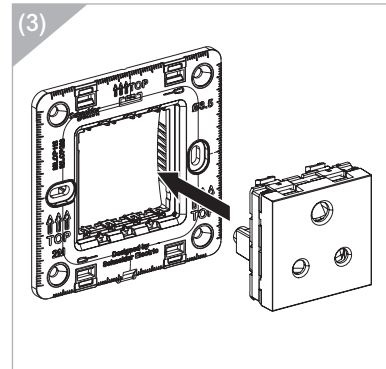
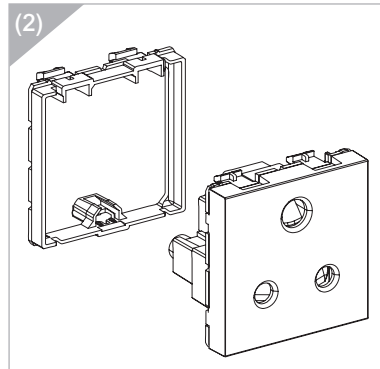
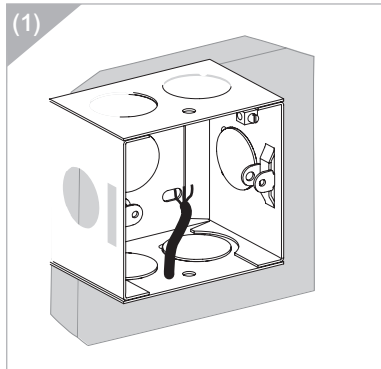
### 12 W USB Charger (Type A+C)



# Technical Information

## Connections

### Socket Adapter



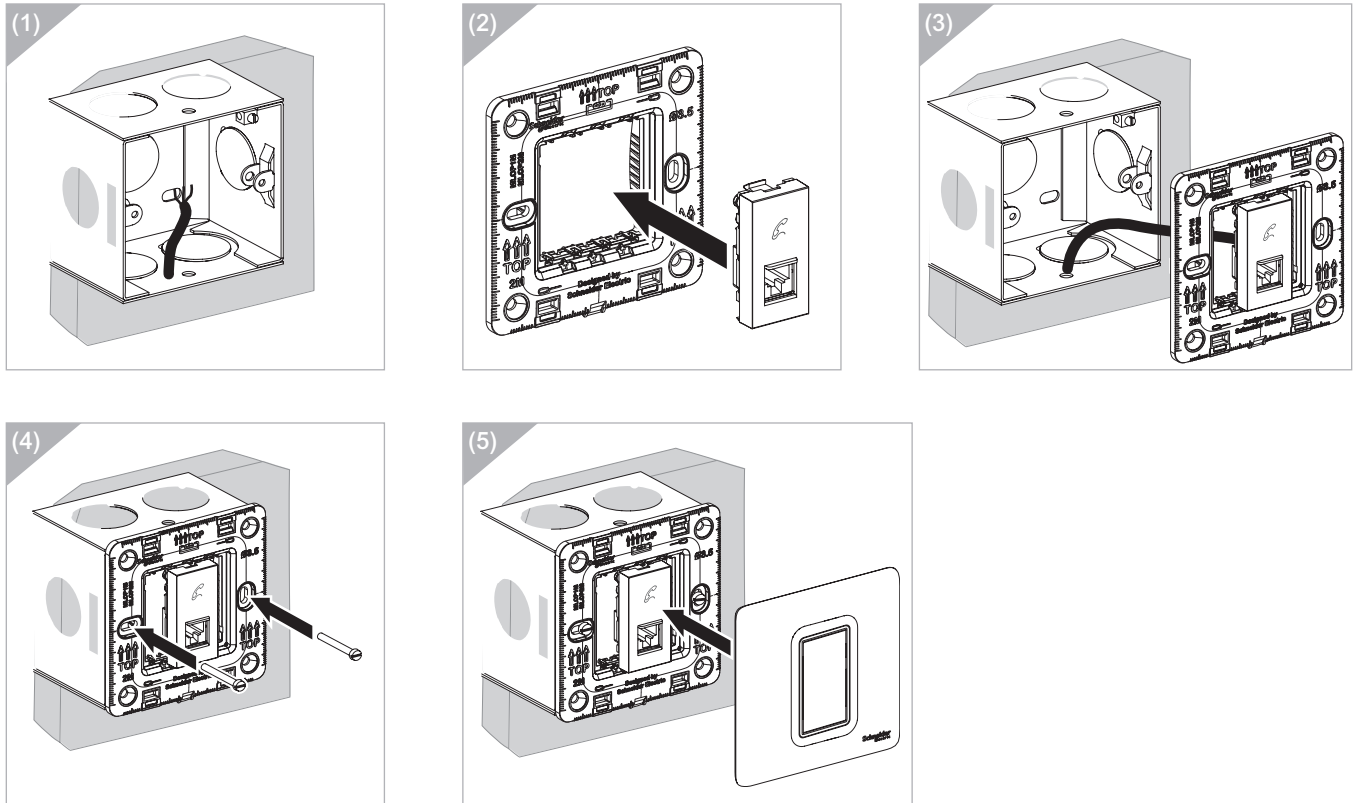
#### Mounting the module

- (1) Mount the wall box to the wall.
- (2) Assemble Socket Adapter to the socket.
- (3) Snap the module to the grid plate.
- (4) Connect the wires to the module as per the wiring diagram.
- (5) Place the grid plate on the wall box and secure it using the screws on both sides.
- (6) Assemble the cover frame on the module, ensuring proper engagement by hearing a clear “click.”

# Technical Information

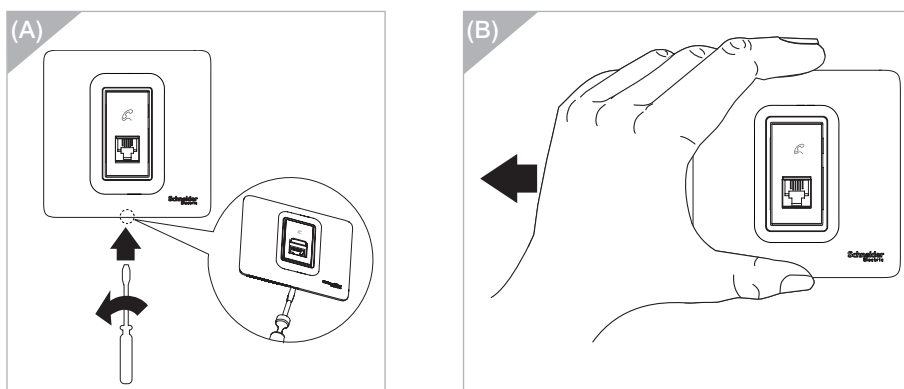
## Connections

### RJ11 Telephone Socket



#### Mounting the module

- (1) Mount the wall box to the wall.
- (2) Snap the module to the grid plate.
- (3) Connect the wires to the module as per the wiring diagram.
- (4) Place the grid plate on the wall box and secure it using the screws on both sides.
- (5) Assemble the cover frame on the module, ensuring proper engagement by hearing a clear “click.”

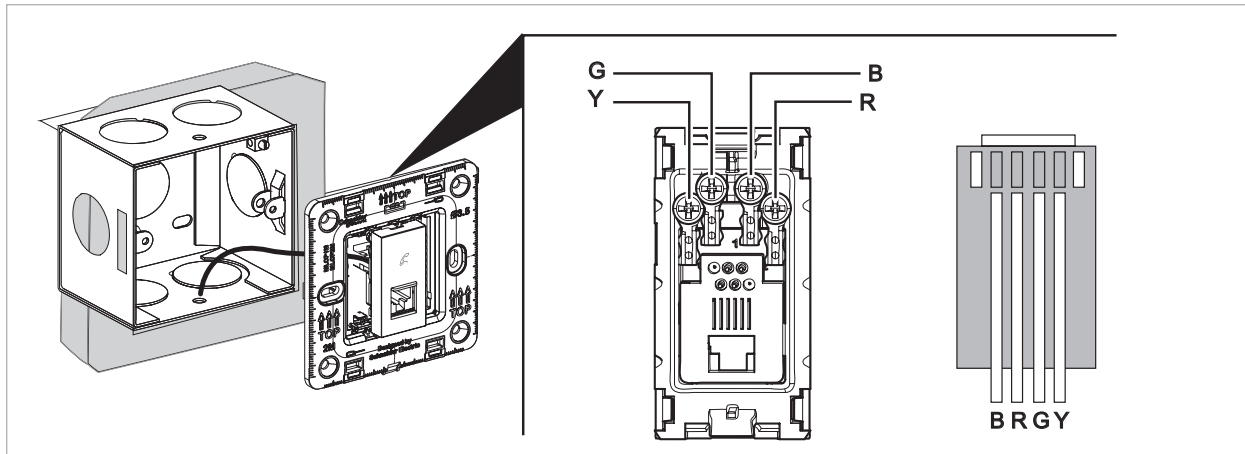


#### Unmounting the module

- (A) Insert a screwdriver between the cover frame and the wall surface to remove the cover frame. Then twist the screwdriver to disassemble the cover frame from the module.
- (B) Use the other hand to support and remove the cover frame.

# Technical Information

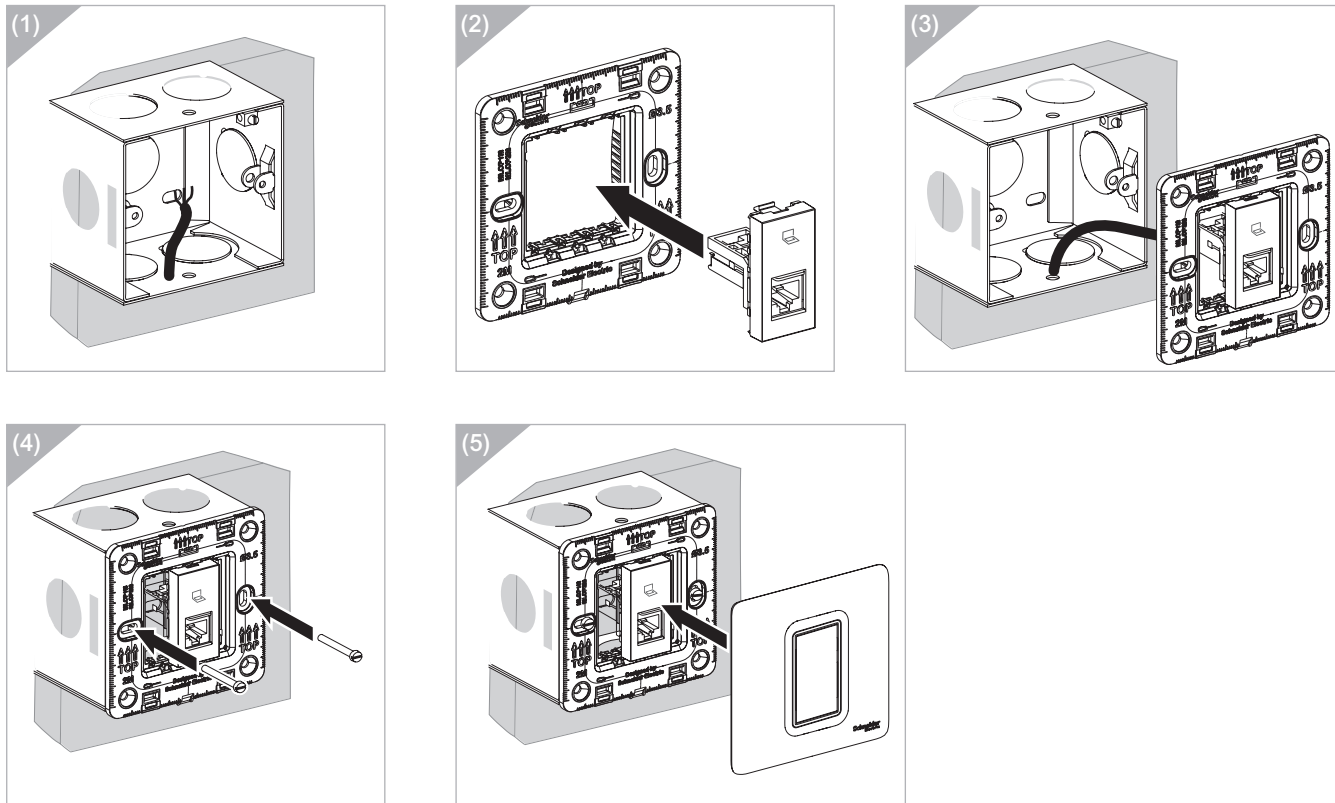
## Connections



Make wiring connections as per the diagram:

- B- Black
- R- Red
- G- Green
- Y- Yellow

### RJ45 Data Socket

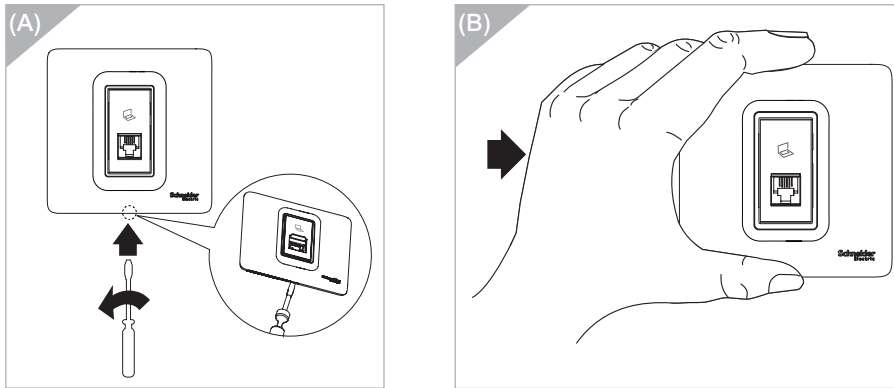


#### Mounting the module

- (1) Mount the wall box to the wall.
- (2) Snap the module to the grid plate.
- (3) Connect the wires to the module as per the wiring diagram.
- (4) Place the grid plate on the wall box and secure it using the screws on both sides.
- (5) Assemble the cover frame on the module, ensuring proper engagement by hearing a clear “click.”

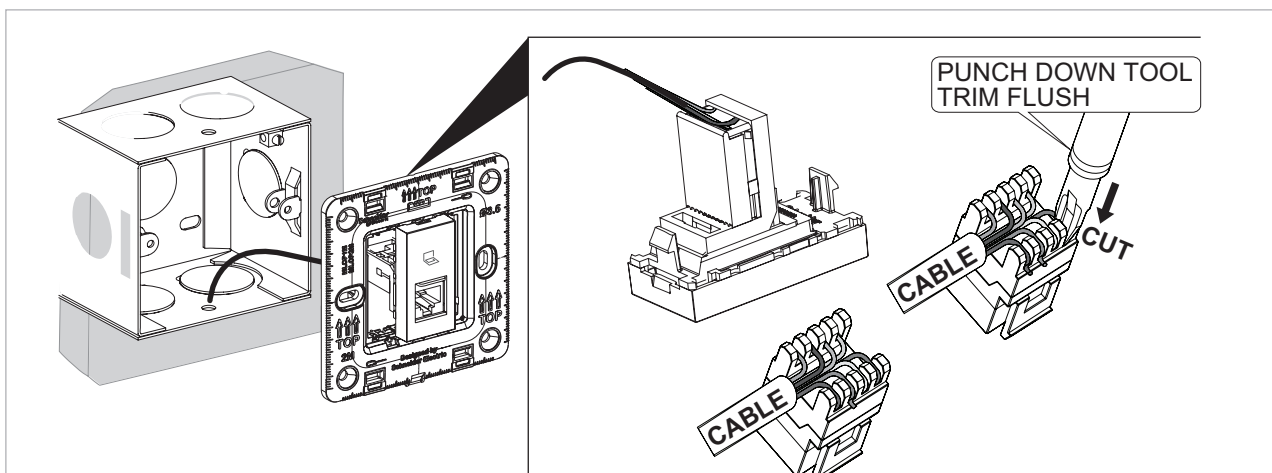
# Technical Information

## Connections



### Unmounting the module

- (A) Insert a screwdriver between the cover frame and the wall surface to remove the cover frame. Then twist the screwdriver to disassemble the cover frame from the module.
- (B) Use the other hand to support and remove the cover frame.

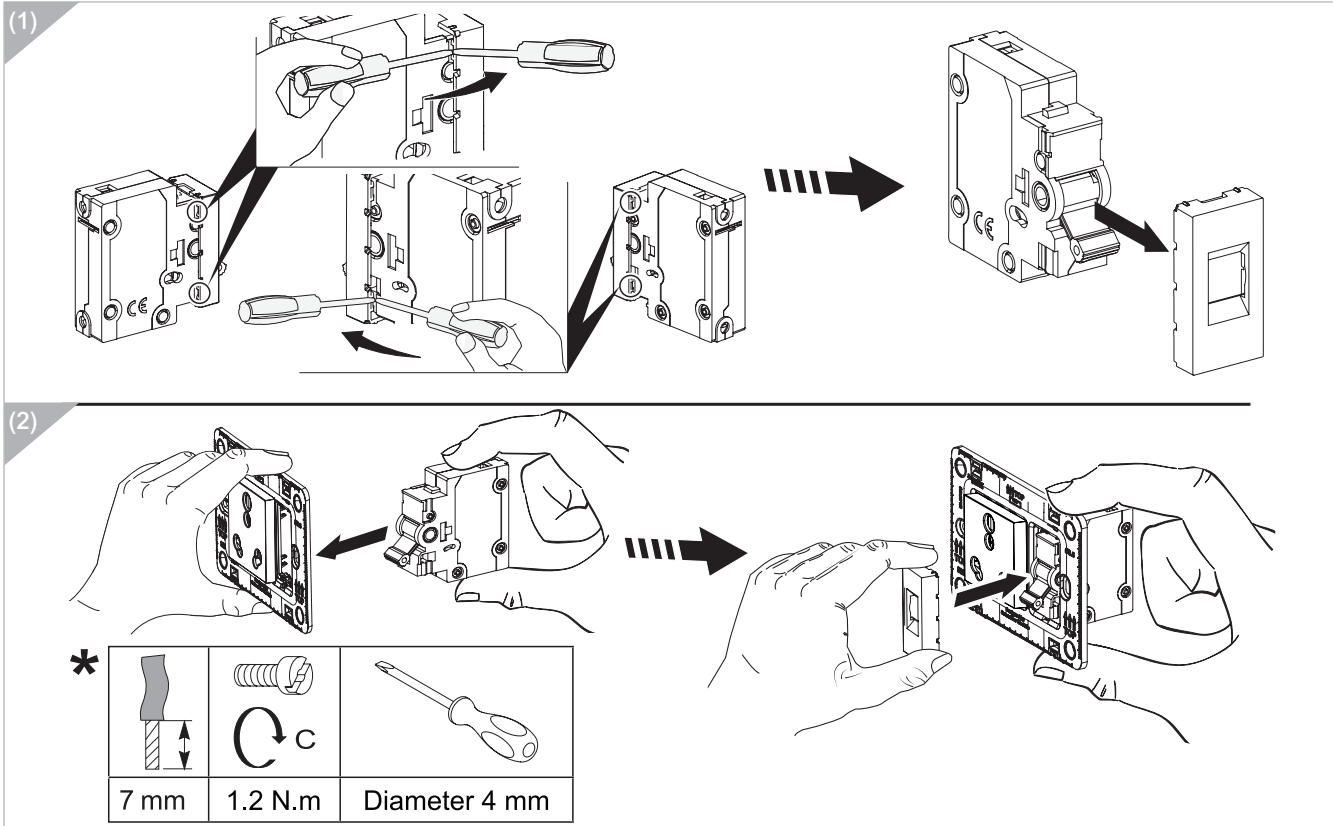


Modular Wiring Configuration		
Color Code	T568B	T568A
White-Blue	5	5
Blue	4	4
White-Orange	1	3
Orange	2	6
White-Green	3	1
Green	6	2
White-Brown	7	7
Brown	8	8

# Technical Information

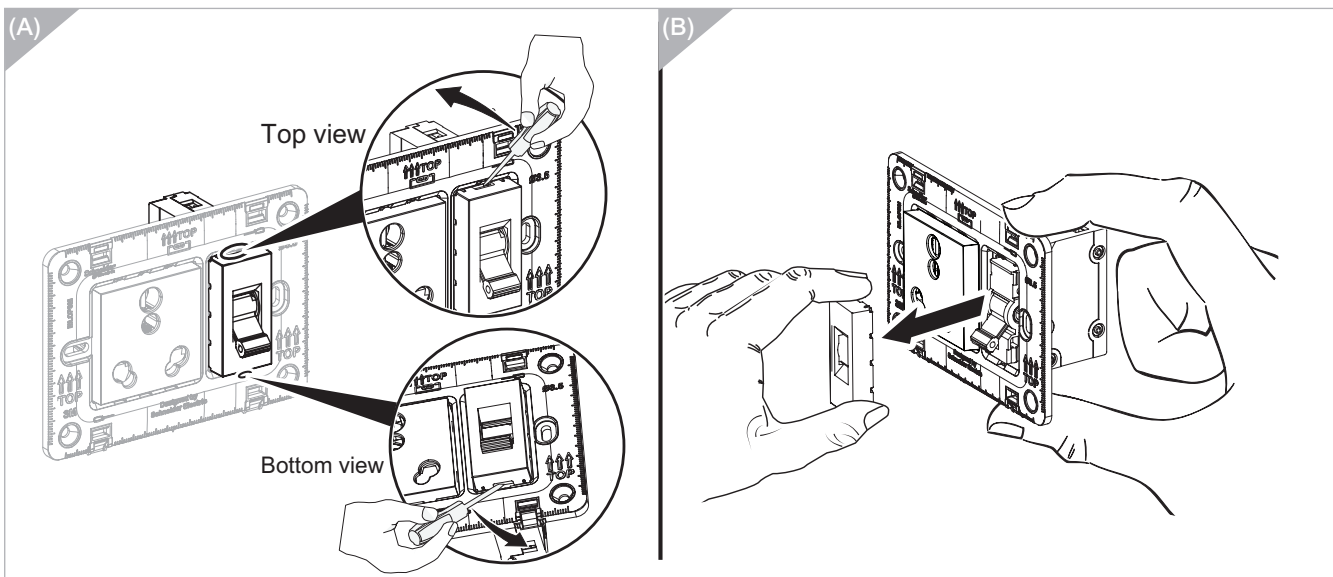
## Connections

### Circuit Breaker



### Mounting the module

- (1) Remove the centre plate from the mini MCB using a flat screwdriver.
- (2) Secure the mini MCB on the grid plate and hold both assembled components in one hand. Assemble the center plate from the front and press them together until you hear a “click” sound.



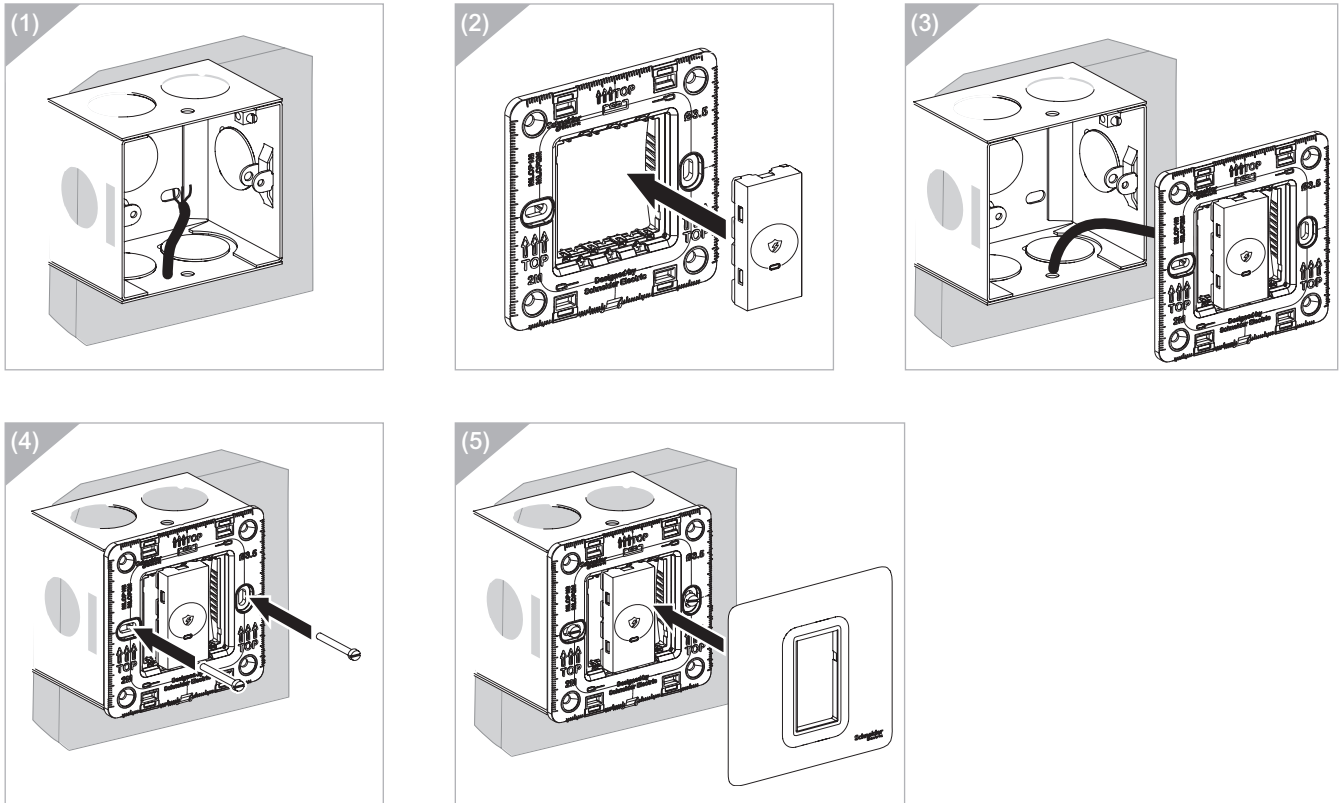
### Unmounting the mini MCB

- (A) Unmount the centre plate from the mini MCB using a flat screwdriver.
- (B) Remove the centre plate and the mini MCB from the grid plate.

# Technical Information

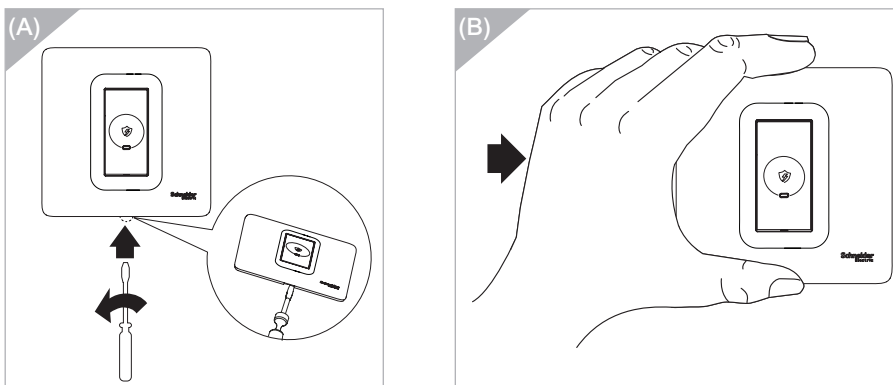
## Connections

### Voltage Surge Protector



### Mounting the module

- (1) Mount the wall box to the wall.
- (2) Snap the module to the grid plate.
- (3) Connect the wires to the module as per the wiring diagram.
- (4) Place the grid plate on the wall box and secure it using the screws on both sides.
- (5) Assemble the cover frame on the module, ensuring proper engagement by hearing a clear “click.”

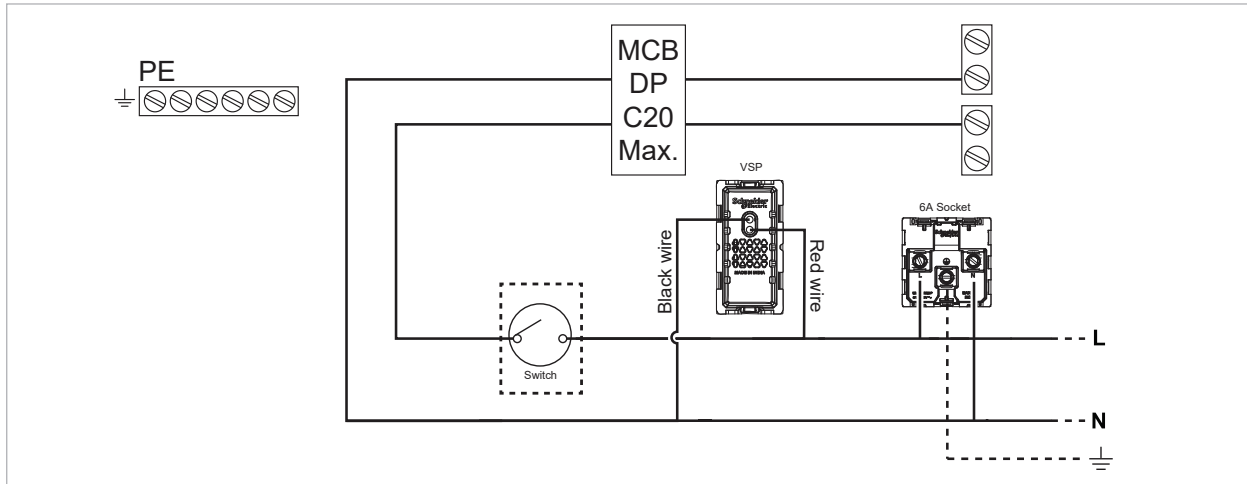


### Unmounting the module

- (A) Insert a screwdriver between the cover frame and the wall surface to remove the cover frame. Then twist the screwdriver to disassemble the cover frame from the module.
- (B) Use the other hand to support and remove the cover frame.

# Technical Information

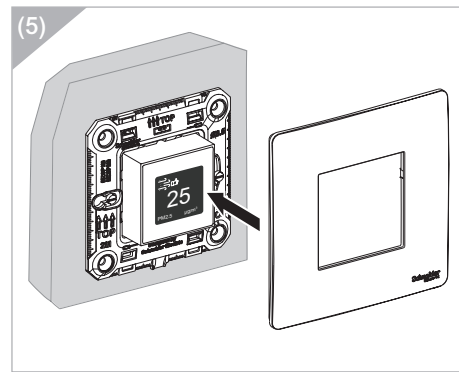
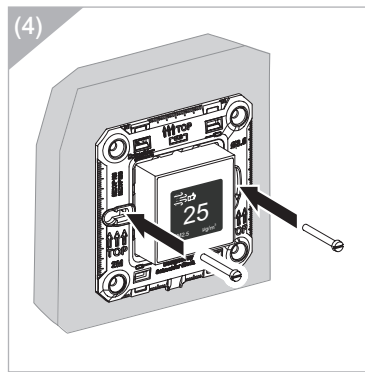
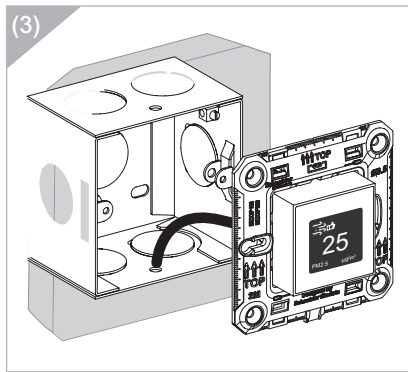
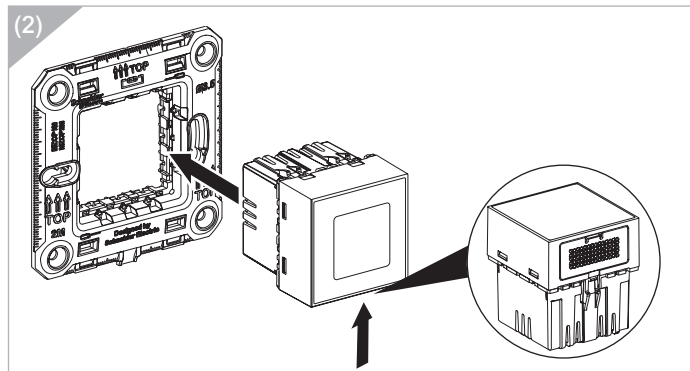
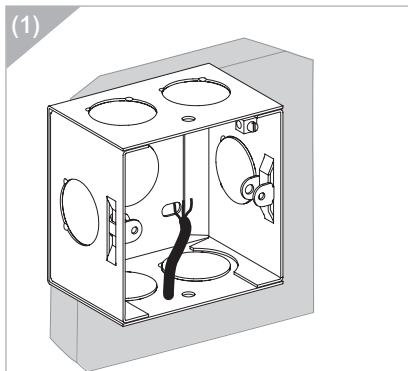
## Connections



Make wiring connections as per the diagram: L-Live, N-Neutral

**Note:** Regularly check that the green LED is ON. When red LED is ON, change the product. The sockets should be installed near to the Voltage Surge Protector.

## Air Quality Indicator

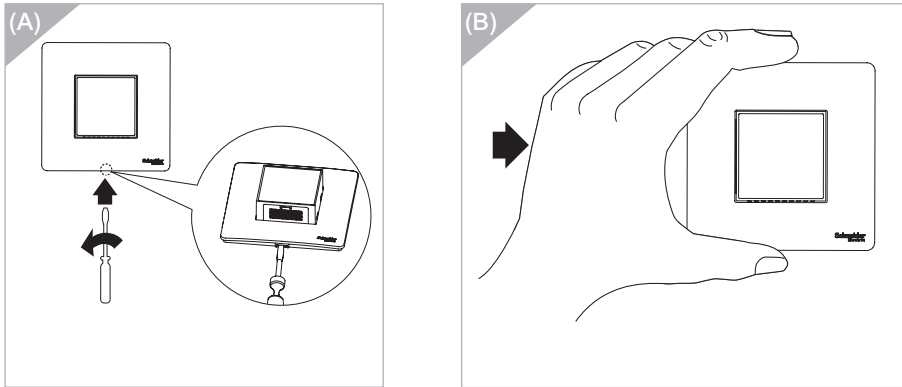


### Mounting the module

- (1) Mount the wall box to the wall.
- (2) Snap the module to the grid plate, making sure the filter opening is placed on the downside during installation.
- (3) Connect the wires to the module as per the wiring diagram.
- (4) Place the grid plate on the wall box and secure it using the screws on both sides.
- (5) Assemble the cover frame on the module, ensuring proper engagement by hearing a clear "click."

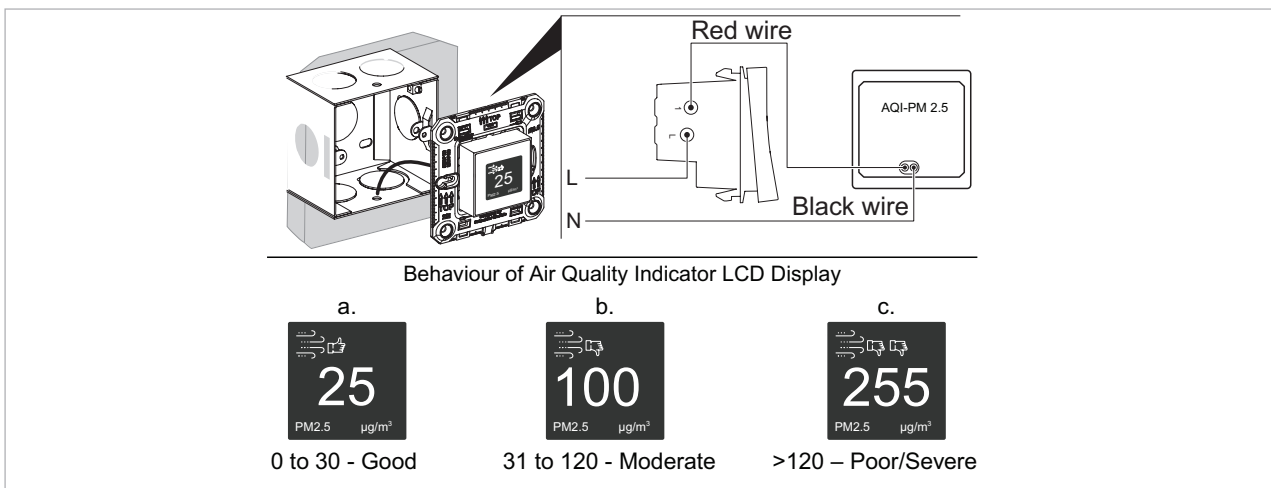
# Technical Information

## Connections



### Unmounting the module

- (A) Insert a screwdriver between the cover frame and the wall surface to remove the cover frame. Then twist the screwdriver to disassemble the cover frame from the module.
- (B) Use the other hand to support and remove the cover frame.



### Note:

- Make wiring connections as per the diagram: L-Live, N-Neutral
- Periodically clean the filter area for good performance.



# Miluz Lara Reference Numbers



# Reference Numbers Overview

Ref.	Page	Ref.	Page	Ref.	Page
ML1202	16	MLFTLMP2M_AN	9	MLUSBAC1M_AN	11
ML1203	16	MLFTLMP2M_WH	9	MLUSBAC1M_WH	11
ML1204	16	MLHDM1M_AN	13	MLVSP1M_AN	11
ML1206	16	MLHDM1M_WH	13	MLVSP1M_WH	11
ML1208	16	MLMM161P_AN	11		
ML1212	16	MLMM161P_WH	11		
MLAQI2M_AN	9	MLMM201P_AN	11		
MLAQI2M_WH	9	MLMM201P_WH	11		
MLBLANK1M_AN	7	MLMM321P_AN	11		
MLBLANK1M_WH	7	MLMM321P_WH	11		
MLBP1M_AN	9	MLMOTSTR2M_AN	7		
MLBP1M_WH	9	MLMOTSTR2M_WH	7		
MLBP2M_AN	9	MLPHSIND1M_RD	7		
MLBP2M_WH	9	MLRJ111M_AN	13		
MLBP11M_AN	9	MLRJ111M_WH	13		
MLBP11M_WH	9	MLRJ451M_AN	13		
MLBPI2M_AN	9	MLRJ451M_WH	13		
MLBPI2M_WH	9	MLSA2M_NC	11		
MLCP1M_AN	15	MLSO62M3P_AN	11		
MLCP1M_WH	15	MLSO62M3P_WH	11		
MLCP2M_AN	15	MLSO6162M3P_AN	11		
MLCP2M_WH	15	MLSO6162M3P_WH	11		
MLCP3M_AN	15	MLSW101M1W_AN	7		
MLCP3MU_AN	15	MLSW101M1W_WH	7		
MLCP3MU_WH	15	MLSW101M2W_AN	7		
MLCP3M_WH	15	MLSW101M2W_WH	7		
MLCP4M_AN	15	MLSW102M1W_AN	7		
MLCP4M_WH	15	MLSW102M1W_WH	7		
MLCP6M_AN	15	MLSW161M1W_AN	7		
MLCP6M_WH	15	MLSW161M1W_WH	7		
MLCP8MH_AN	15	MLSW161M2W_AN	7		
MLCP8MH_WH	15	MLSW161M2W_WH	7		
MLCP8MS_AN	15	MLSW162M1W_AN	7		
MLCP8MS_WH	15	MLSW162M1W_WH	7		
MLCP9M_AN	15	MLSWI101M1W_AN	7		
MLCP9M_WH	15	MLSWI101M1W_WH	7		
MLCP12M_AN	15	MLSWI102M1W_AN	7		
MLCP12M_WH	15	MLSWI102M1W_WH	7		
MLCP16M_AN	15	MLSWI161M1W_AN	7		
MLCP16M_WH	15	MLSWI161M1W_WH	7		
MLCP18M_AN	15	MLSWI162M1W_AN	7		
MLCP18M_WH	15	MLSWI162M1W_WH	7		
MLDMR1M_AN	9	MLSWI202MDP_AN	7		
MLDMR1M_WH	9	MLSWI202MDP_WH	7		
MLDRCHM2M_AN	9	MLSWI322MDP_AN	7		
MLDRCHM2M_WH	9	MLSWI322MDP_WH	7		
MLFR4STP1M_AN	9	MLTV1M_AN	13		
MLFR4STP1M_WH	9	MLTV1M_WH	13		
MLFR5STP2M_AN	9	MLUSBA1M_AN	11		
MLFR5STP2M_WH	9	MLUSBA1M_WH	11		

# Miluz Lara Price List





Life Is On

**Schneider**  
Electric

## Schneider Electric India Pvt. Ltd.

Corporate Office: 9th Floor, DLF Building No. 10, Tower C, DLF Cyber City, Phase II, Gurugram 122002 Haryana  
Tel.: ++91 124 6899000 Fax: ++91 124 4222036/037

### Ahmedabad

Schneider Electric India (P) Ltd.  
1506-1507, 15th Floor Shapth-5  
Opp.Karnavati Club, SG Highway,  
Ahmedabad, Gujarat - 380015  
Tel.: 079-66826701

### Coimbatore

Schneider Electric India (P) Ltd.  
Hanudev Info Tech Park, 6th Floor  
Unit No. Block-C, SF No. 558/2  
Udalyampalayam Road, Nava India  
Coimbatore - 641028

### Lucknow

Schneider Electric India (P) Ltd.  
Summit, Plot No. TCG 3/3  
6th Floor, 604A/B/C, Vibhuti Khand  
Gomti Nagar, Lucknow  
Uttar Pradesh - 226010  
Tel.: 0522-3500334

### Nashik

Schneider Electric India (P) Ltd.  
401, 4th Floor, Rishi Raj Towers  
Jehan Circle, Gangapur Road  
Nashik - 422013  
Tel.: 0253-2344333

### Bengaluru

Schneider Electric India (P) Ltd.  
No. 3/1, JP Techno Park  
Mezzanine Floor, Millers Tank Bund  
Road, Vasanth Nagar  
Bengaluru - 560052  
Tel.: 080-71481351

### Hyderabad

Schneider Electric India (P) Ltd.  
D.No. 1-8-271, # 401, Ashoka  
Bhoopal Chambers, SP Road  
Secunderabad - 500003  
Tel.: 040-67219500

### Ludhiana

Schneider Electric India (P) Ltd.  
SCO 23, 2nd Floor,  
Chandigarh Road, Sector 32  
Ludhiana, Punjab -141010  
Tel.: 0161- 5203011

### New Delhi

Schneider Electric India (P) Ltd.  
C-56, Mayapuri Industrial Area, Phase-2  
New Delhi - 110064  
Tel.: 011-61317400

### Bhubaneswar

Schneider Electric India (P) Ltd.  
Workloop Co-Working in the property  
Office No. 316, Esplanade One Mall  
Rasulgarh, Bhubaneswar - 751010

### Indore

Schneider Electric India (P) Ltd.  
219, Dhan Trident Building  
Vijay Nagar, A.B.Road  
Indore - 452001

### Mohali

Schneider Electric India (P) Ltd.  
2nd Floor, Tower-A  
Bestech Business Tower  
Mega Information & Technology Park  
Industrial Plot No.1, Phase IX  
(Expansion), Mohali - 160059  
Tel.: 0172-7198200

### Pune

Schneider Electric India (P) Ltd.  
Amar Caliber, CTS No 911, BMCC Road,  
OFF F.C. Road, Deccan Gymkhana,  
Shivaji Nagar, Pune - 411007  
Tel.: 020-67492500

### Chennai

Schneider Electric India (P) Ltd.  
No: 29, 2nd Floor,  
Bannari Amman Towers, B-Block  
Dr. Radhakrishnan Road, Mylapore  
Chennai - 600 004  
Tel.:044-71912000

### Jaipur

Schneider Electric India (P) Ltd.  
Jaipur Business Centre 309  
3rd Floor, Sangam Tower 190  
Church Road, Jaipur - 302001  
Tel.: 0141-2374810

### Mumbai

Schneider Electric India (P) Ltd.  
Marwah House, 2nd Floor  
Krishanlal Marwah Marg  
Andheri (East), Mumbai - 400072  
Tel.: 022-62280000

### Vadodara

Schneider Electric India (P) Ltd.  
Notus IT Park, 10th Floor, Block-D  
Sarabhai Campus, Vadiwadi  
Vadodara, Gujarat - 390017

### Cochin

Schneider Electric India (P) Ltd.  
Alapatt Properties Private Limited  
(Trade Name : Centre A)  
Main Door Number : 66/4971  
(Old Door Number: 40/6584-H)  
7th Floor Alapatt Heritage Building  
MG Road Kochi - 682035

### Kolkata

Schneider Electric (I)Pvt.Ltd,  
BP-4, Sector-V, Technopolis  
3rd Floor, Salt Lake City  
Kolkata - 700 091  
Tel.: 033-66576400

### Nagpur

Schneider Electric India (P) Ltd.  
6, Vasant Vihar Complex  
W.H.C Road, Shankar Nagar  
Nagpur - 440010  
Tel.: 0712-2558581

### Vishakhapatnam

Schneider Electric India (P) Ltd.  
D.N.10-1-43, 1st Floor  
Ratnam's Business Centre,  
Siripuram Fort, C.B.M.Compound  
Visakhapatnam - 530016  
Tel.: 0891-6675500

For more information, visit our website at: [www.se.com/in](http://www.se.com/in)

- All prices are in Indian Rupees.
- Prices are subject to change without prior notice.
- Product evolution is a continuous process and Schneider Electric reserves the right to modify/withdraw any product at any time without prior notice.
- Prices charged will be as prevailing on the date of dispatch.
- Invoice Amount = (MRP - less Applicable discount) + Applicable GST %
- Tax incidence on invoices is basis applicable GST rates.
- Invoice amount not to exceed MRP.
- Product pictures shown are for illustration purpose only, actual product may vary.

### Customer Care Centre

Monday-Saturday, 9 a.m. to 8 p.m.  
Toll-free numbers: 1800 419 4272, 1800 103 0011  
Email: [customer care.in@schneider-electric.com](mailto:customer care.in@schneider-electric.com)